

Create a Connected Cloud network for the future

Leaders in digital transformation understand that business innovation relies heavily on using the cloud. Cloud technology allows new ways of working, operating, and running a business because of its agility and adaptability. Ensuring your business is dynamically connected to cloud is a critical consideration to unlocking these benefits.

As cloud innovation continues to develop across the globe, you need to make sure your organisation is positioned to make the most of it. We provide the interconnectivity helping to bridge the gap between the cloud, the cloud edge, and the edge of your business. This is critical to unlocking value, interconnection flexibility and the speed of change needed for your digital transformation.

The leaders in cloud deployments are changing their investment strategy. They're reducing their spending on owned, legacy, and fixed cost assets, and instead focusing on flexible frameworks and partner ecosystems that will set them apart in the market. This evolution, which recognises the cloud edge as a key point where the modern, secure WAN comes together with your multi-cloud deployments, needs a new type of solution.

Connected Cloud Edge allows you to address your growing demand for cloud connectivity, bringing together the clouds and ecosystems that matter, in a flexible way that can grow with your changing needs.

How Connected Cloud Edge can lighten the load

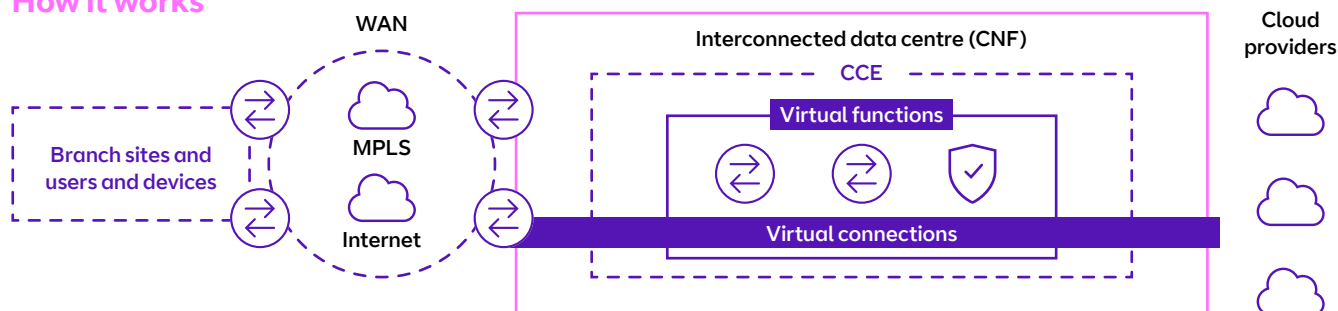
- A simple, efficient way to connect across clouds, partner and ecosystems.
- Delivers high performance, private cloud connectivity.
- Reduced dependency on physical assets and supply chains.
- Flexibility to add-to and change your solution over time, giving you confidence, your future needs can be met.
- Solution dedicated to you, running on a shared high-performance infrastructure platform.
- Available across key locations globally, giving you reach and consistency.



Is your cloud connectivity strategy ready for the change?

As part of our portfolio of cloud networking solutions we've added Connected Cloud Edge to meet the growing demand for multi-cloud and partner ecosystem connectivity. With Connected Cloud Edge you now have the option to deploy your WAN to the closest possible hand-off point to the clouds and partners that matter, then deploy the high-performance connections and services to meet your needs.

How it works



Example use case: Connected cloud edge in focus

Why work with us?

We are uniquely placed to advise on how to integrate cloud, networking and security for better performance and business outcomes. Having been at the forefront of deploying cloud connectivity for some of the world's largest enterprises, we have the experiences, connections, and partner relationships that set us apart from others.

Global reach and scale

We serve more than 4,000 global customers in over 180 countries, satisfying data and application requirements from a performance, security and regulatory perspective around the world.

Industry leader in networking

BT has been recognised for the 18th year as a leader in Gartner recognised leader in 2022 Gartner® Magic Quadrant™ for Network Services, Global. By integrating our industry leading networking capabilities with Equinix's platform, customers get the speed and flexibility to connect to clouds, SaaS, PaaS, networks, and service providers around the world.

Trusted partnerships

We work closely with partners, such as Equinix, to build high-performance cloud networking solutions for our customers. Our relationships across industry are recognised through certifications and awards, including BT receiving the Equinix "Trailblazer of the year award" within EMEA in 2020.

What's next

Leaders must design for the unknown, be agile and design a global workload architecture and strategy that leverages an ecosystem of partners that puts innovation first. Here at BT, we are constantly innovating, especially in the areas of security, SD-WAN and multi-cloud networking.

What could our Connected Cloud Edge service do for you?

Visit bt.com/global

Offices worldwide

The services described in this publication are subject to availability and may be modified from time to time. Services and equipment are provided subject to British Telecommunications plc's respective standard conditions of contract. Nothing in this publication forms any part of any contract. © British Telecommunications plc 2022. Registered office: One Braham, Braham Street, London, England E1 8EE. Registered in England No: 1800000.

July 2022

